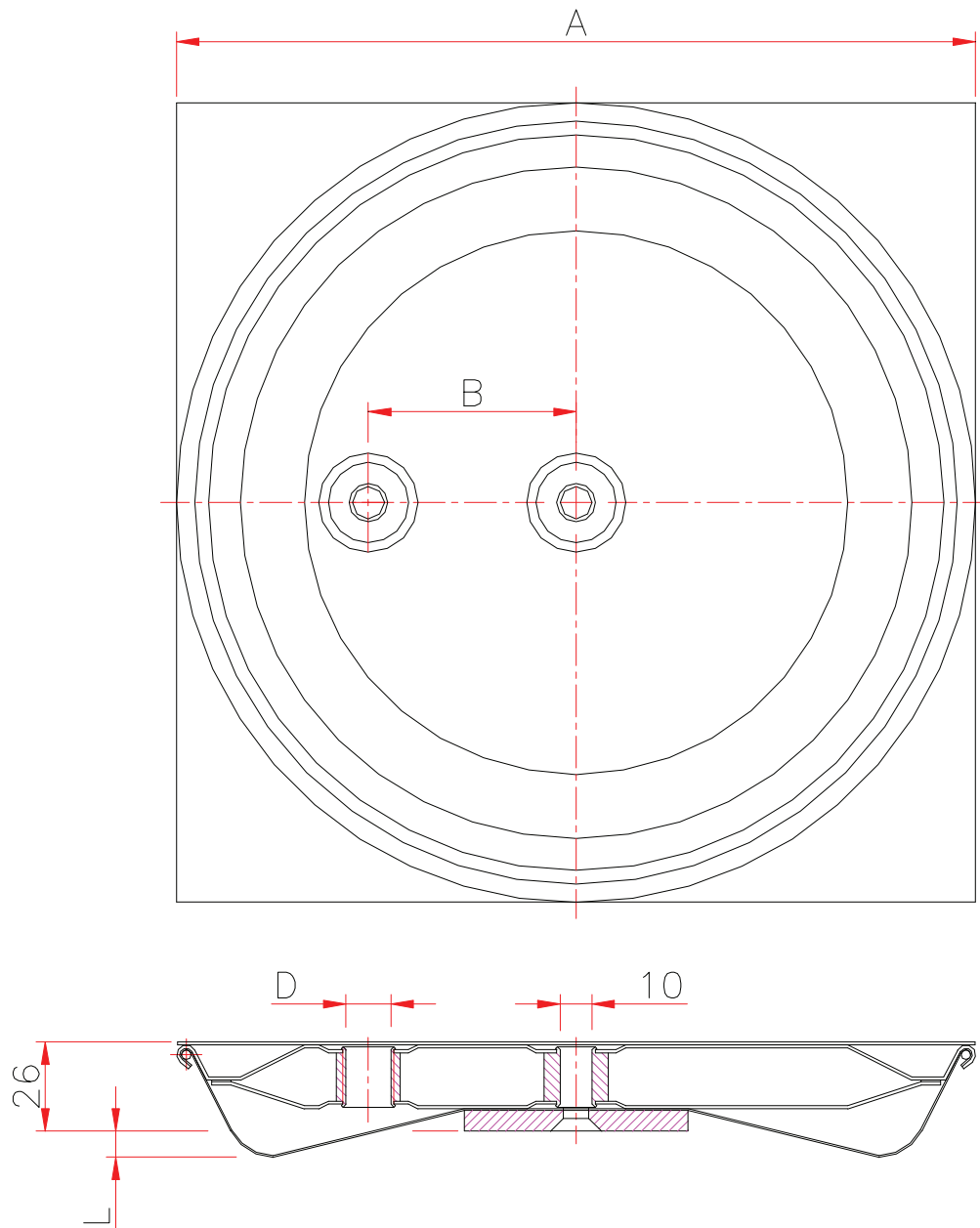


# Aircushion Type A...HS

Max working pressure 2 bar

Slide mount



Maximum working pressure aircushion: 2 bar

	Size (mm)	Height (mm)	Air inlet	Fastening bolt	Distance air inlet (mm)	Weight (kg)	Air Consumption (NL/min)	Capacity (kg)
TYPE	A		D		B	G		
A30HS	300	26	1 / 4 "	M10	90	1,5	130-250	1.000
A40HS	400	26	1 / 4 "	M10	120	2,4	240-450	2.000
A50HS	500	26	1 / 2 "	M10	150	3,7	400-750	3.600
A70HS	700	26	1 / 2 "	M10	220	4,7	500-800	6.000
A90HS	900	26	3 / 4 "	M10	270	6,9	700-1100	12.000

Technical changes reserved